



Blending

Blend beyond boundaries

Contents

Beverage Blending	4
<u>Key Features</u>	8
<u>Beverage Blenders Summary</u>	10
<u>Beverage Blenders Specs</u>	12
Food Blending	14
<u>Key Features</u>	18
<u>Food Blenders Summary</u>	20
<u>Food Blenders Specs</u>	22



SKOPE & Vitamix

Uniting for a premium experience

The partnership between SKOPE and Vitamix is built upon shared values, a drive for innovation, and a commitment to superior products. As respected family-owned businesses, both SKOPE and Vitamix specialise in cutting-edge solutions that elevate customer satisfaction.

As the exclusive distributor of Vitamix blenders in Australia, New Zealand and the Pacific Islands, SKOPE is proud to stand for premium quality and delivering unmatched value throughout the region.

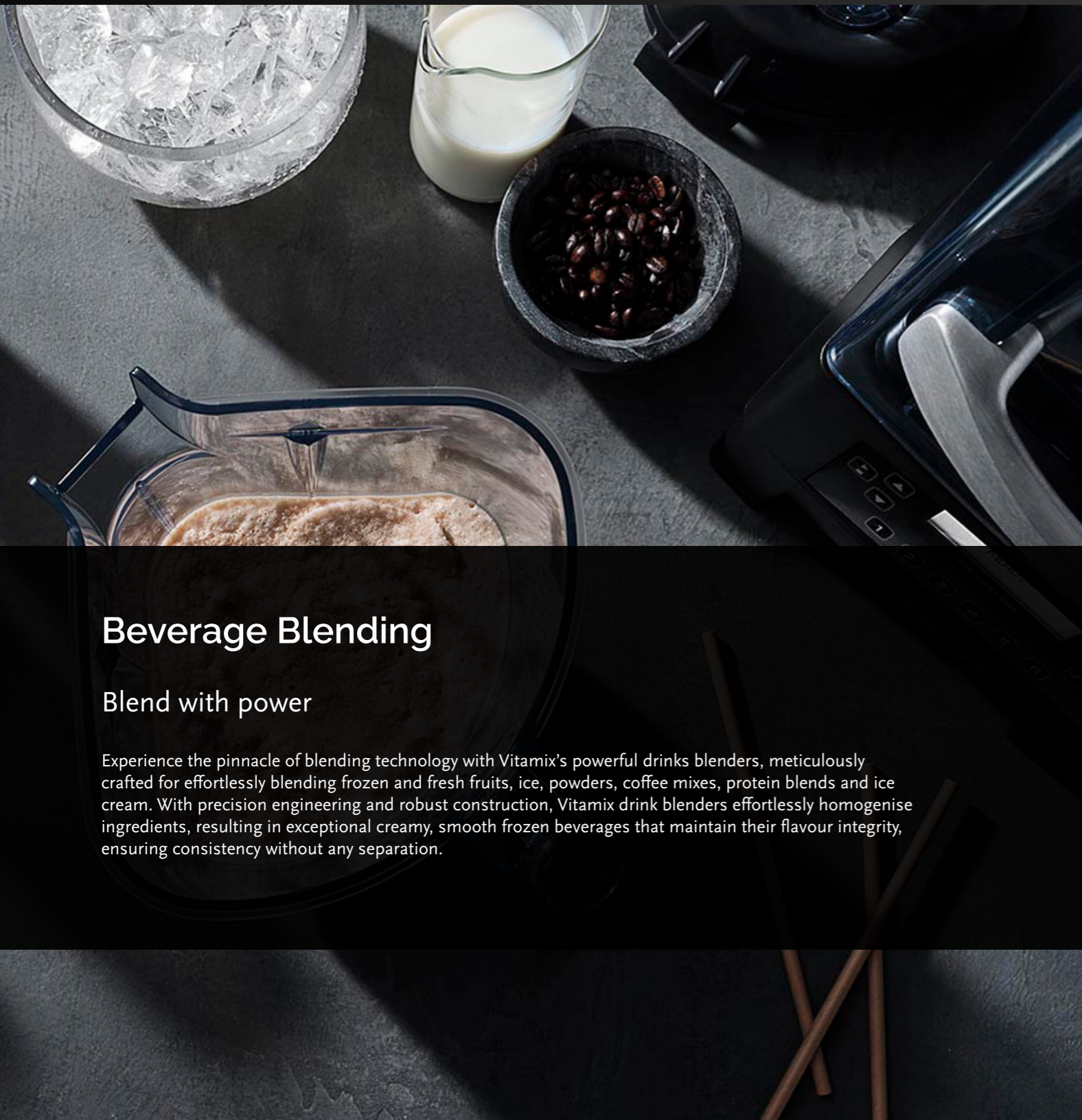




Beverage Blending

Blending brilliance, one drink at a time





Beverage Blending

Blend with power

Experience the pinnacle of blending technology with Vitamix's powerful drinks blenders, meticulously crafted for effortlessly blending frozen and fresh fruits, ice, powders, coffee mixes, protein blends and ice cream. With precision engineering and robust construction, Vitamix drink blenders effortlessly homogenise ingredients, resulting in exceptional creamy, smooth frozen beverages that maintain their flavour integrity, ensuring consistency without any separation.



SKOPE & Vitamix | Uniting for a premium experience



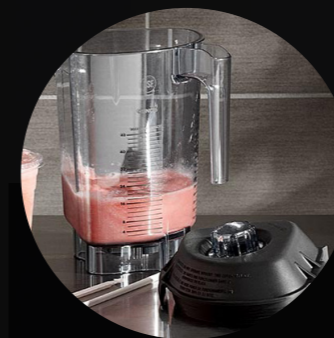
Performance and Versatility

Power, speed, and consistency are the hallmarks of Vitamix Commercial Blenders. With a model to suit every application and budget, Vitamix is the global leader in professional blending technology.



Cutting Edge Blade Design

Each Vitamix blade is laser cut from a single piece of hardened stainless steel to ensure precision, consistency and strength. Engineered to rupture molecules of fruit and ice, Vitamix blades deliver smooth, chunk-free beverages with every blend.



Standard Inclusions

A BPA-free 2 Litre heavy duty container with 1.4 Litre measurement markers is included with each Vitamix Drinks Blender. The containers are designed for years of commercial use thanks to the replaceable blade assembly.



Superior Warranty Protection

Vitamix blenders are backed with 3 years parts and 1 year labour warranty* from Australasia's leading commercial equipment service business - SKOPE Services.

*Terms and conditions apply. Containers and blades are subject to a 12 month manufacturer's defect warranty.

Beverage Blenders | Summary

The Quiet One®



Perfect for:

- Juice and smoothie shops, pubs/bars, coffee shops, milk bars, restaurants, front of house and venues that require a quiet, quick and powerful blender
- Blending a variety of textures in high volumes including- smoothies, cocktails, thickshakes, coffee drinks, juices, ice cream, ice and powders
- Customers who require ultimate consistency with custom programmed settings

Key features:

- Six programmable push buttons with 34 stored program options with auto shut-off
- Unparalleled sound reduction from the removable sound-reducing enclosure
- Powerful 3 HP motor
- Pulse and manual functionality for fine tuning or refreshing blends
- Advance 2L container with 1.4L measurement markers, lid and blade for optimum blending and pouring of dense beverages with no need for a tamper
- LED screen with operating cycle and time data

Drink Machine Advance®



Perfect for:

- Milk bars, dairies, delis, bars/pubs, juice bars, cafes and restaurants that require a versatile blender that can handle dense ingredients and simple automated operation
- Blending fresh and frozen fruits, ice, powders, liquids, frappes, coffee mixes, protein blends and ice cream
- Suitable for environments where quiet operation is not required

Key features:

- Six pre-programmed, automatic settings with auto shut-off
- Pulse functionality for fine tuning or refreshing blends
- Heavy duty, 2.3 HP motor
- Advance 2L container with 1.4L measurement markers, lid and blade for optimum blending
- Available in black or red base

Drink Machine Two-Speed



Perfect for:

- Milk bars, coffee shops and restaurants that require an entry level blender with manual operation and shut-off
- Blending fresh fruit, liquid smoothies, coffee mixes, ice and ice cream
- Back of house or environments where quiet operation is not required

Key features:

- Essential two-speed functions, low or high
- Heavy duty, reliable blender
- Wet blade for smooth beverage blending
- 1.4L container, lid and tamper stick to move ingredients towards the blade

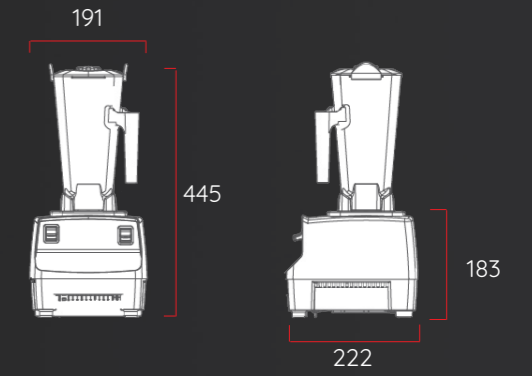
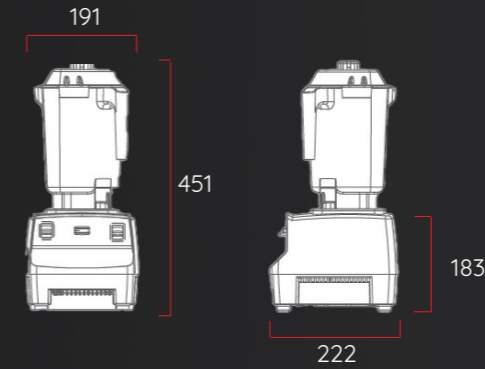
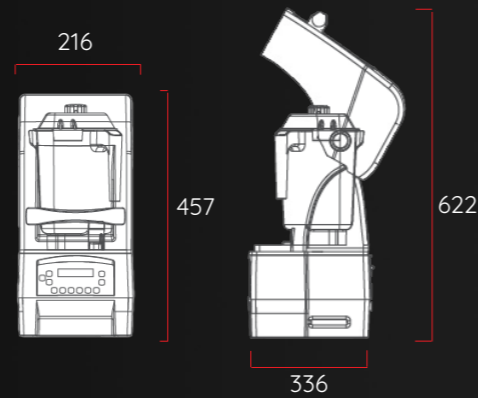
Available Accessories

- Additional containers, lids, blade assemblies and drive sockets
- Rinse-O-Matic for simple container cleaning
- Retainer nut wrench for easy blade changes
- Aerating container

Stock Availability

- **Stocked - all models**

Beverage Blenders | Specifications



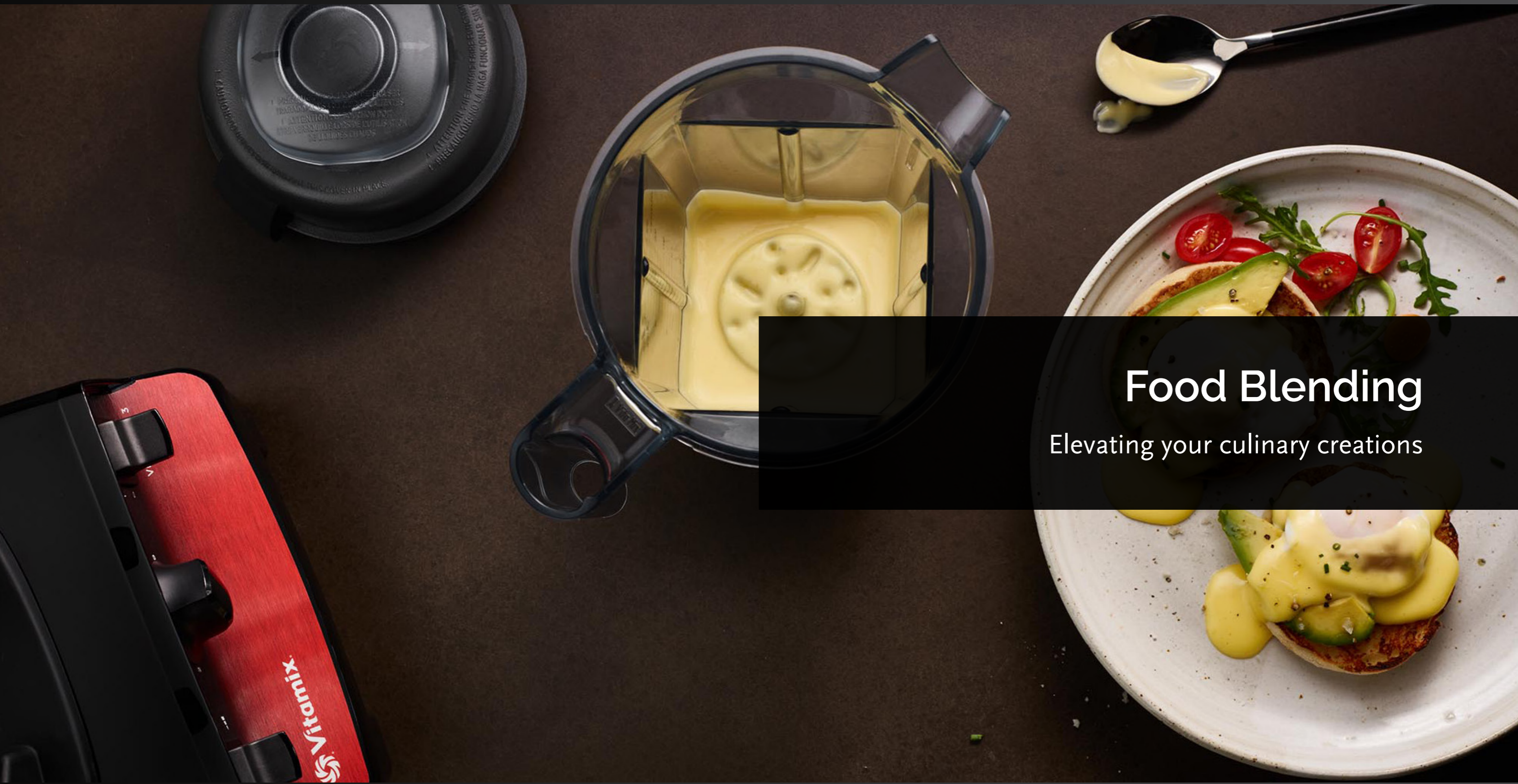
Product Details

	Beverage Blender	Beverage Blender	Beverage Blender
Model	The Quiet One®	Drink Machine Advance®	Drink Machine Two-Speed
Functions	6 programmable buttons, 34 functions to choose from	6 pre-programmed dial functions	Basic low/high function
Speed	1-100% increments	Pre-programmed speed functions	2 speed options - low/high
Pulse Option	Yes	Yes	No
Inclusions	2 Litre Advance container with 1.4L measurement markers, Advance blade, lid, sound reducing enclosure	2 Litre Advance container with 1.4L measurement markers, Advance blade, lid and base	1.4 Litre container, wet blade, lid and tamper stick
Motor - Peak Output (HP)	3	2.3	2.3
Power - Load Dependent (Watts)	1,300 - 1,550	1,000 - 1,200	1,000 - 1,200
Electrical Connection	10 Amp plug and lead	10 Amp plug and lead	10 Amp plug and lead
Voltage	230	230	230

Additional Details

Full Technical Data	Specification Sheets	Specification Sheets	Specification Sheets
---------------------	--------------------------------------	--------------------------------------	--------------------------------------





Food Blending

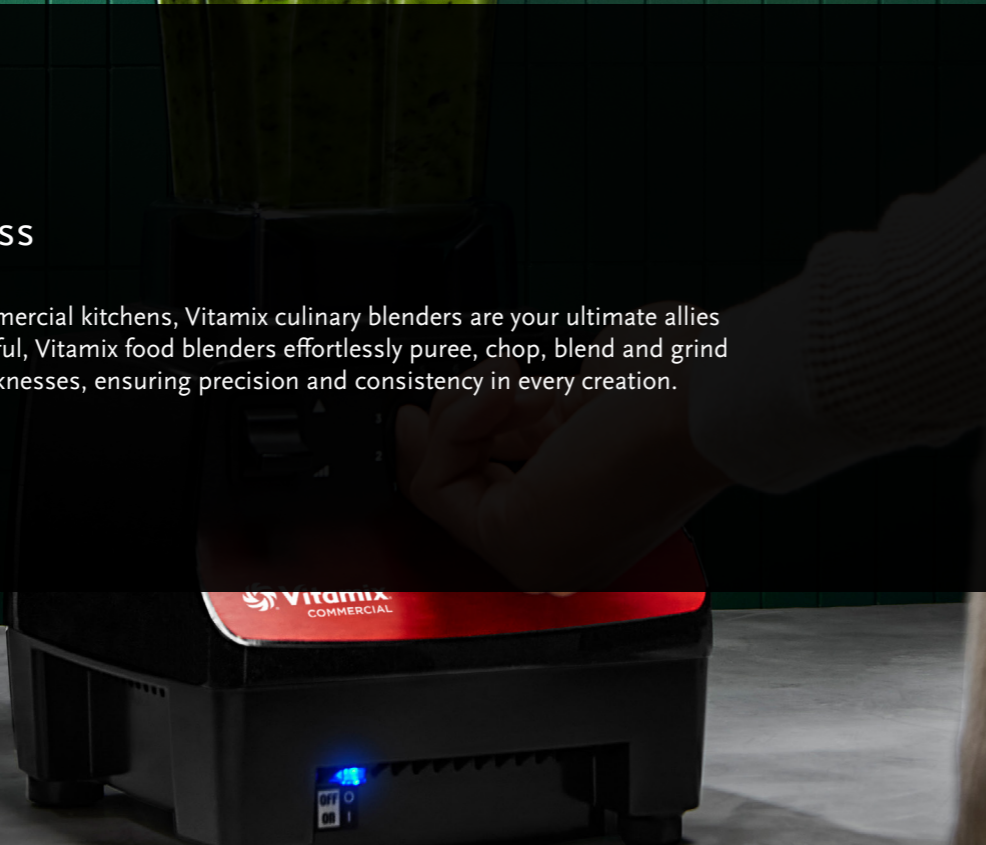
Elevating your culinary creations



Food Blending

Puree, prepare and process

Crafted for optimal performance in commercial kitchens, Vitamix culinary blenders are your ultimate allies in food preparation. Versatile and powerful, Vitamix food blenders effortlessly puree, chop, blend and grind ingredients of various densities and thicknesses, ensuring precision and consistency in every creation.



SKOPE & Vitamix | Uniting for a premium experience



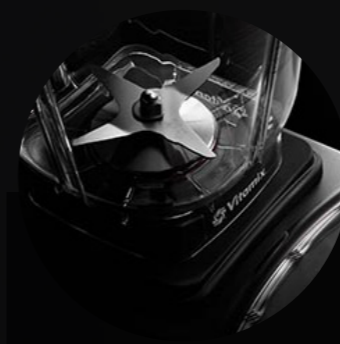
Variable Speed Settings

The variable speed settings on Vitamix food blenders enable precise adjustments to achieve the optimum speed for blending various ingredients.



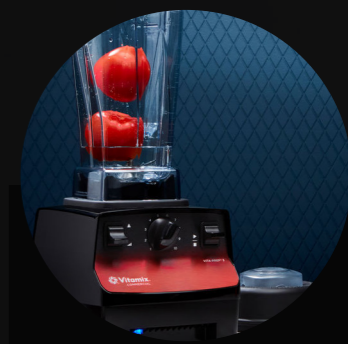
Standard Inclusions

Each Vitamix food blender comes equipped with a large heavy duty container, high performance blades and a tamper stick to assist in pushing dense food ingredients towards the blade.



Cutting Edge Blade Design

Each Vitamix blade is laser cut from a single piece of hardened stainless steel to ensure precision, consistency and strength. Engineered to rupture molecules of food, Vitamix blades deliver food blended to your ideal texture and consistency.



Superior Warranty Protection

Vitamix blenders are backed with 3 years parts and 1 year labour warranty* from Australasia's leading commercial equipment service business - SKOPE Services.

*Terms and conditions apply. Containers and blades are subject to a 12 month manufacturer's defect warranty.

Food Blenders | Summary



Vita-Prep® 3

Perfect for:

- Restaurants, hotels, nursing homes, hospitals, production kitchens, schools, catering companies and cafes that require a powerful back of house blender for culinary requirements
- Pureeing, blending, chopping and grinding various ingredients

Key features:

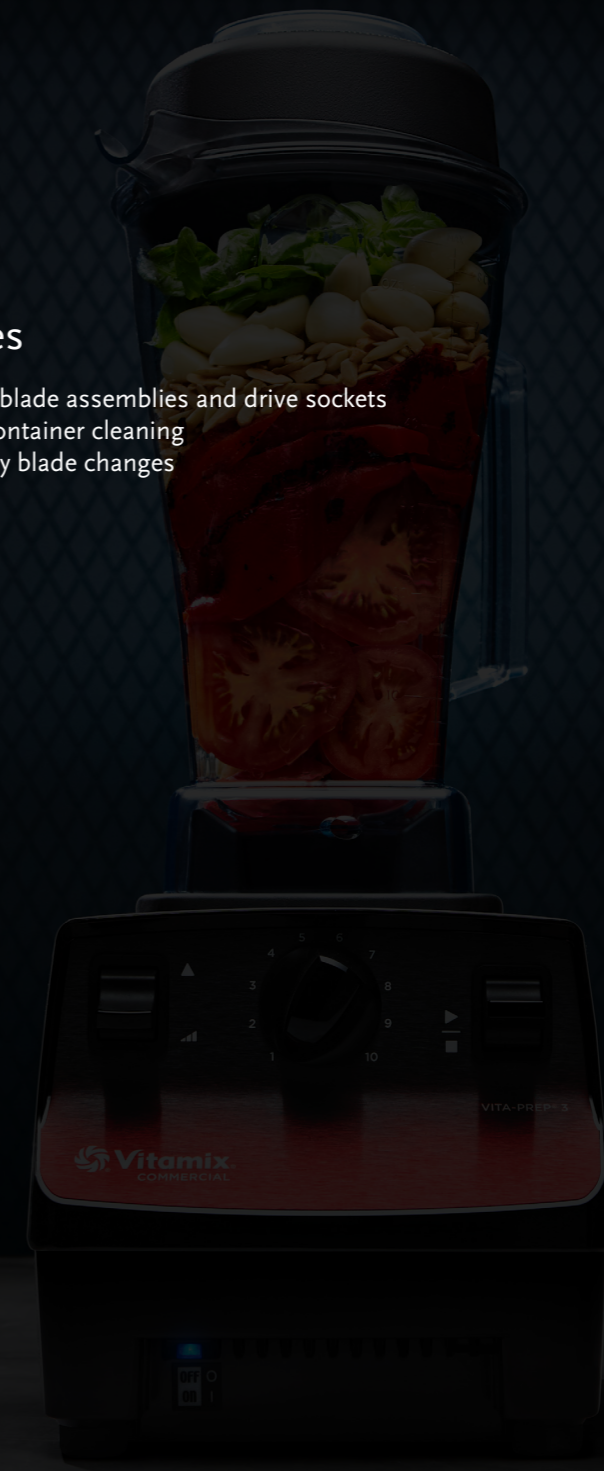
- Basic variable speed functions
- Powerful 3 HP motor
- Heavy duty, reliable blender
- Wet blade for smooth beverage blending
- Tamper stick to move ingredients towards the blade
- 2 Litre heavy duty container included

Available Accessories

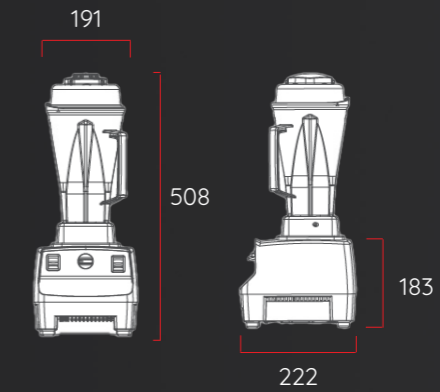
- Additional containers, lids, blade assemblies and drive sockets
- Rinse-O-Matic for simple container cleaning
- Retainer nut wrench for easy blade changes
- 0.9 litre aerating container
- 1.4 or 0.9 litre containers

Stock Availability

- Stocked - all models



Food Blenders | Specifications



Food Blender

Product Details

Model Number	Vita-Prep 3
Functions	Basic variable speed functions
Speed	10x speeds on low control and 1x high speed (full power)
Pulse Option	Yes
Inclusions	2 Litre container, wet blade, lid and tamper stick
Motor - Peak Output (HP)	3
Power - Load Dependent (Watts)	1,200 - 1,400
Electrical Connection	10 Amp plug and lead
Voltage	230

Additional Details

Full Technical Data [Specification Sheets](#)



Head Office

New Zealand
SKOPE Industries Limited
57 Princess Street
PO Box 1091
Christchurch 8140
New Zealand
International Tel: +64 (3) 983 3800

Customer Services

Australia
Freephone: 1800 121 535
Email: skope@skope.com

New Zealand
Freephone: 0800 947 5673
Email: skope@skope.com



Information contained in this document has been checked for accuracy at the time of production. SKOPE reserves the right to alter any detail without notice. Prices and conditions are subject to change without notice. The photographs used in this publication are for illustrative purposes only. Minor design changes may result in slight variations between the product illustrated and the final delivered product. AUS 1800 121 535 / NZ 0800 947 567. Copyright © SKOPE Industries Limited. All rights reserved. SKOPE Industries Ltd reserves the right to alter specifications without notice. Visit www.skope.com for the most recent specification documents.